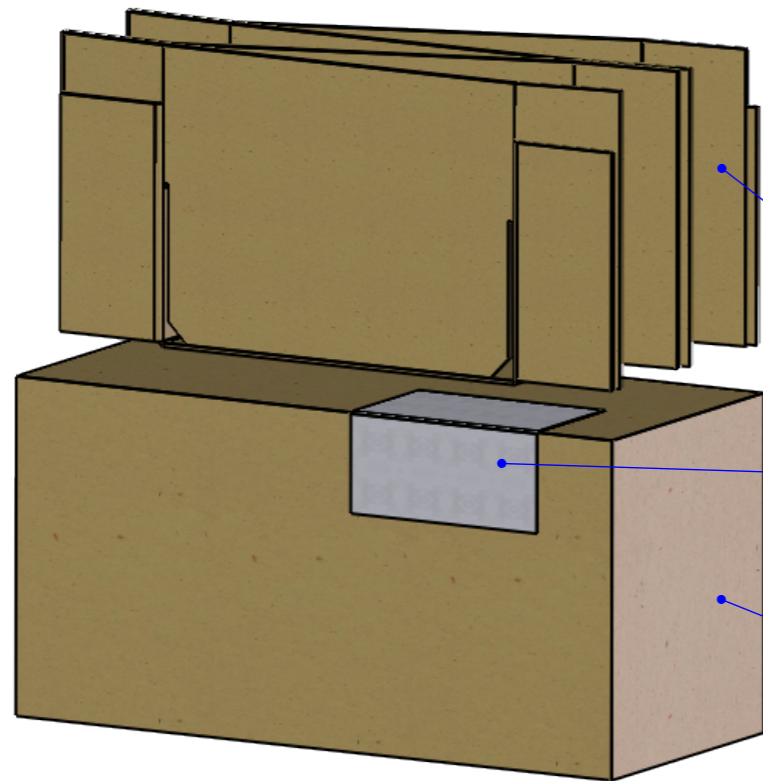


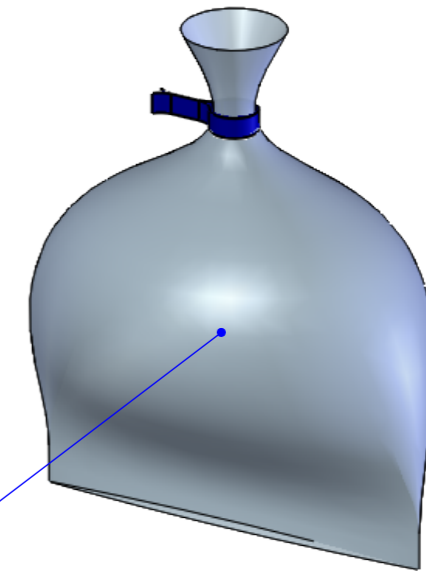
ISSUE:	DRAWN BY:	CHECKED BY:	CRF NO:	DATE:	DESCRIPTION:
a	CH	KB	1465	09/06/17	New Delta Fitting Kit



PA03 x 1
Leg Kit Insert

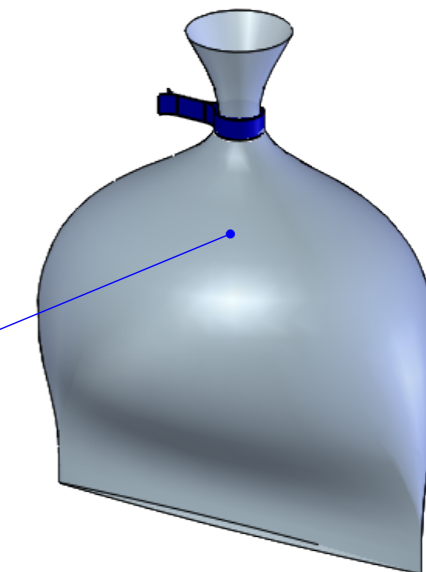
LA038 x 1
Printed Label, Kit Box

PA88 x 1
Plain Cardboard Box, 320 x 140 x 160, TGS



FK167 x 1
Fitting Kit, 4 Leg Saddle Fixings

MS201 x 4
Delta Bar Saddle, M8

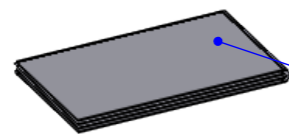


FK963 x 1
"VD" 4 Leg Fixing Kit

MS168 x 2
MC Leg, Bars / Modular Racks

MS726 x 2
'VC' Rear Leg

LA030 x 4
Leg Label, Standard

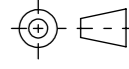


(INVD2D) x 1
Customer Instruction Sheet(s)

- Notes: 1. Fit Labels to Legs as shown above.
2. Fold Printed Label along edge of Kit Box.
3. Put through heat tunnel.



DRAWING NO: VD2D (1 of 3)	DESCRIPTION: 2 Bar "VD" Fitting Kit Delta Bars	DESIGNED BY: C. Horsefield 09/06/17
MATERIAL SIZE: -	MATERIAL SPEC: -	WEIGHT: 3.43Kg
© NOTE: This drawing is the property of Rhino Products Ltd and must not be used or copied without written consent. The Rhino Products name and logo must remain clearly visible in any reproduction.		

 THIRD ANGLE PROJECTION	
UNLESS OTHERWISE SPECIFIED: DIMENSIONS ARE IN MM	
0.00	±0.2
0.0	±0.5
ANG	±0.5°
DERIVED DIMENSIONS SHOWN IN BRACKETS	
DEBURR AND BREAK ALL SHARP EDGES	
SHEET SIZE A3	SHEET SCALE: 2:7



MS201 x 4



MS168 x 2



MS726 x 2



PS324 x 2

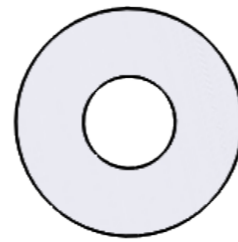


PS023 x 4

(1:1)



FB003 (M8 x 65) x 8



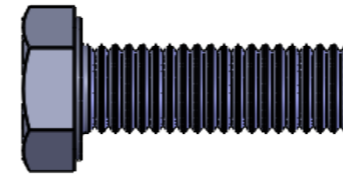
FW002 (M8) x 20



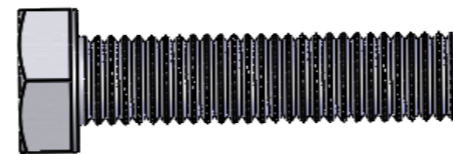
FN006 (M8) x 12



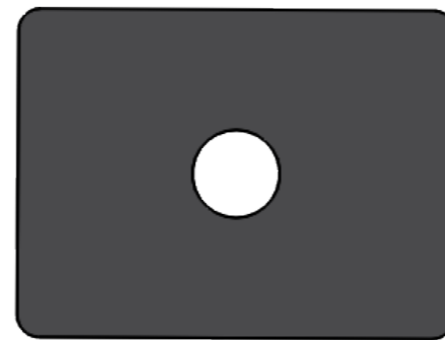
PS208 (M8) x 4



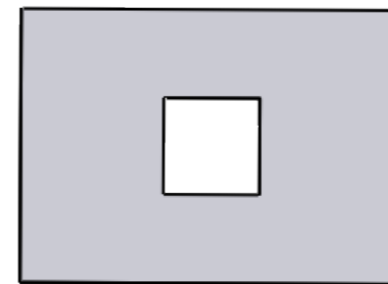
FS062 (M8 x 25) x 2



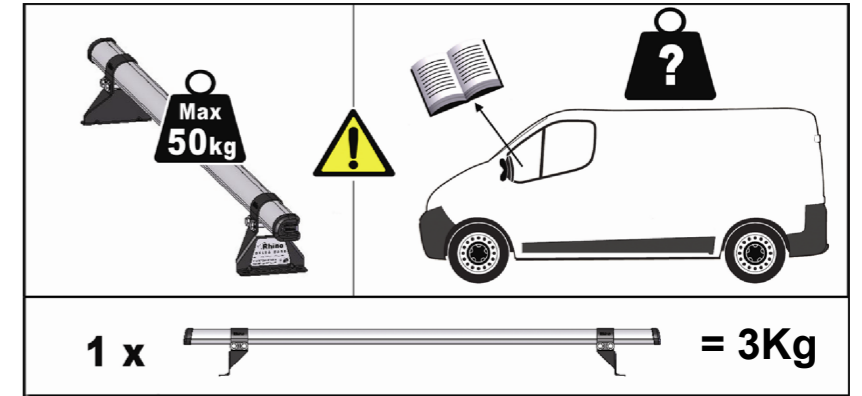
FS061 (M8 x 35) x 2



PS020 x 4



MS209 x 4



x 2



13mm x 2

